



UNIVERSITY OF CAMBRIDGE INTERNATIONAL EXAMINATIONS  
International General Certificate of Secondary Education

CANDIDATE  
NAME

CENTRE  
NUMBER

--	--	--	--	--

CANDIDATE  
NUMBER

--	--	--	--

\* 7 1 5 7 8 0 6 0 8 5 \*

**MATHEMATICS**

**0580/41**

Paper 4 (Extended)

**October/November 2010**

**2 hours 30 minutes**

Candidates answer on the Question Paper.

Additional Materials:

Electronic calculator  
Mathematical tables (optional)

Geometrical instruments  
Tracing paper (optional)

**READ THESE INSTRUCTIONS FIRST**

Write your Centre number, candidate number and name on all the work you hand in.

Write in dark blue or black pen.

You may use a pencil for any diagrams or graphs.

Do not use staples, paper clips, highlighters, glue or correction fluid.

**DO NOT WRITE IN ANY BARCODES.**

Answer **all** questions.

If working is needed for any question it must be shown below that question.

Electronic calculators should be used.

If the degree of accuracy is not specified in the question, and if the answer is not exact, give the answer to three significant figures. Give answers in degrees to one decimal place.

For  $\pi$  use either your calculator value or 3.142.

At the end of the examination, fasten all your work securely together.

The number of marks is given in brackets [ ] at the end of each question or part question.

The total of the marks for this paper is 130.

This document consists of **16** printed pages.



- 1 (a) In 2008 the total number of tickets sold for an athletics meeting was 3136.  
The ratio child tickets sold : adult tickets sold = 17 : 32.

(i) How many child tickets were sold?

*Answer(a)(i)* ..... [2]

(ii) Child tickets cost \$2 each and adult tickets cost \$4.50 each.

Show that the total amount received from the sale of the tickets in 2008 was \$11 392.

*Answer(a)(ii)*

[2]

(b) In 2009 the amount received from the sale of tickets for the athletics meeting was \$12 748.

Calculate the percentage increase in the amount received from 2008 to 2009.

*Answer(b)* ..... % [3]

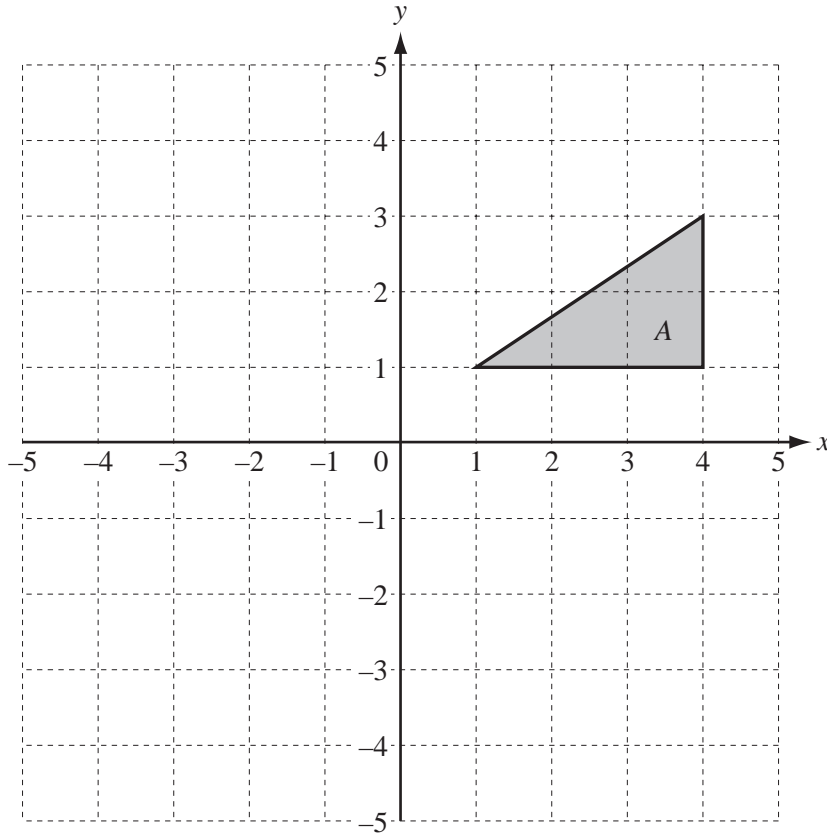
(c) In 2008 the amount of \$11 392 was 28% more than the amount received in 2007.

Calculate how much was received in 2007.

*Answer(c)* \$ ..... [3]

2 (a)

For  
Examiner's  
Use



(i) Draw the image when triangle *A* is reflected in the line  $y = 0$ .  
Label the image *B*. [2]

(ii) Draw the image when triangle *A* is rotated through  $90^\circ$  anticlockwise about the origin.  
Label the image *C*. [2]

(iii) Describe fully the **single** transformation which maps triangle *B* onto triangle *C*.  
*Answer(a)(iii)* ..... [2]

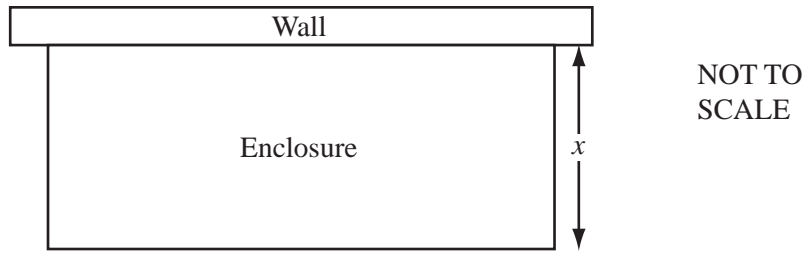
(b) Rotation through  $90^\circ$  anticlockwise about the origin is represented by the matrix  $\mathbf{M} = \begin{pmatrix} 0 & -1 \\ 1 & 0 \end{pmatrix}$ .

(i) Find  $\mathbf{M}^{-1}$ , the inverse of matrix  $\mathbf{M}$ .

*Answer(b)(i)*  $\mathbf{M}^{-1} = \begin{pmatrix} & \\ & \end{pmatrix}$  [2]

(ii) Describe fully the **single** transformation represented by the matrix  $\mathbf{M}^{-1}$ .  
*Answer(b)(ii)* ..... [2]

3



A farmer makes a rectangular enclosure for his animals.  
He uses a wall for one side and a total of 72 metres of fencing for the other three sides.

The enclosure has width  $x$  metres and area  $A$  square metres.

- (a) Show that  $A = 72x - 2x^2$ .

*Answer (a)*

[2]

- (b) Factorise completely  $72x - 2x^2$ .

*Answer(b)* .....

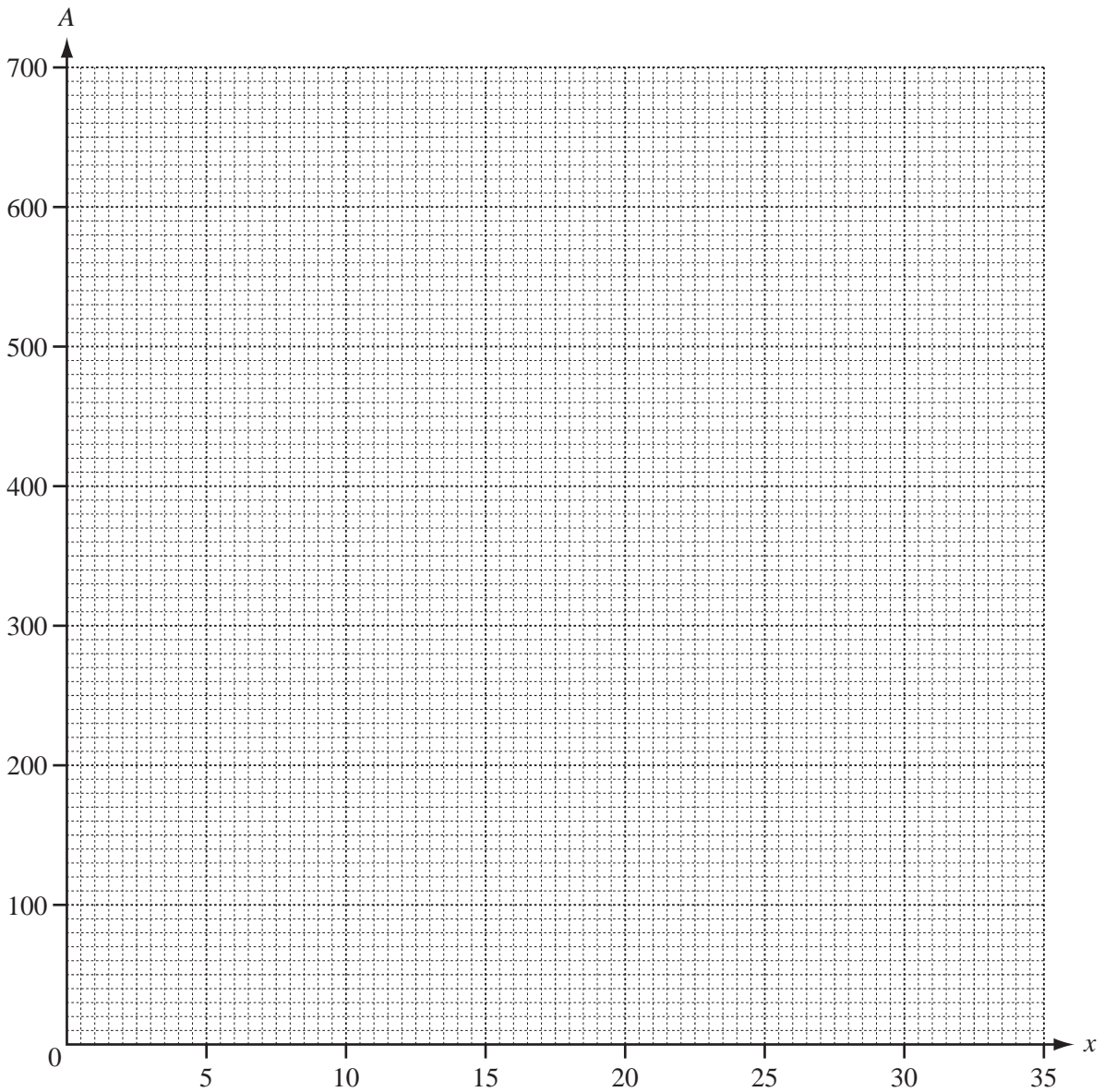
[2]

- (c) Complete the table for  $A = 72x - 2x^2$ .

$x$	0	5	10	15	20	25	30	35
$A$	0	310	520			550	360	

[3]

- (d) Draw the graph of  $A = 72x - 2x^2$  for  $0 \leq x \leq 35$  on the grid opposite.



[4]

(e) Use your graph to find

(i) the values of  $x$  when  $A = 450$ ,

Answer(e)(i)  $x = \dots\dots\dots$  or  $x = \dots\dots\dots$  [2]

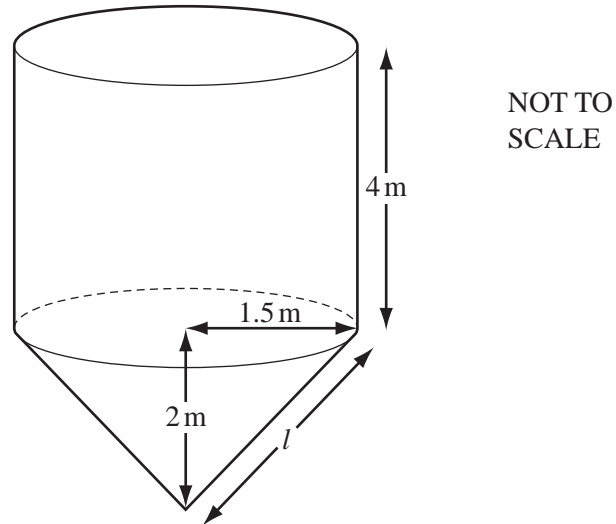
(ii) the maximum area of the enclosure.

Answer(e)(ii)  $\dots\dots\dots$   $\text{m}^2$  [1]

(f) Each animal must have at least  $12 \text{ m}^2$  for grazing.

Calculate the greatest number of animals that the farmer can keep in an enclosure which has an area of  $500 \text{ m}^2$ .

Answer(f)  $\dots\dots\dots$  [2]



An **open** water storage tank is in the shape of a cylinder on top of a cone.  
The radius of both the cylinder and the cone is 1.5 m.  
The height of the cylinder is 4 m and the height of the cone is 2 m.

- (a) Calculate the **total** surface area of the **outside** of the tank.  
[The curved surface area,  $A$ , of a cone with radius  $r$  and slant height  $l$  is  $A = \pi r l$ .]

Answer(a) ..... m<sup>2</sup> [6]

- (b) The tank is completely full of water.

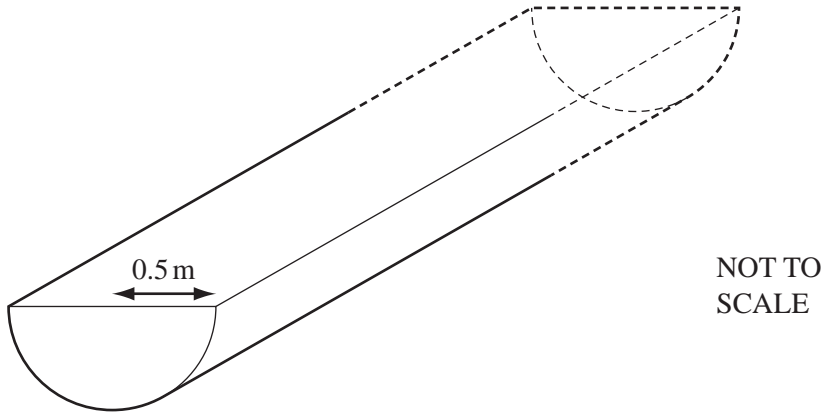
- (i) Calculate the volume of water in the tank and show that it rounds to 33 m<sup>3</sup>, correct to the nearest whole number.

[The volume,  $V$ , of a cone with radius  $r$  and height  $h$  is  $V = \frac{1}{3}\pi r^2 h$ .]

Answer(b)(i)

[4]

(ii)



The cross-section of an irrigation channel is a semi-circle of radius 0.5 m. The  $33 \text{ m}^3$  of water from the tank completely fills the irrigation channel.

Calculate the length of the channel.

*Answer(b)(ii)* ..... m [3]

(c) (i) Calculate the number of litres in a full tank of  $33 \text{ m}^3$ .

*Answer(c)(i)* ..... litres [1]

(ii) The water drains from the tank at a rate of 1800 litres per minute.

Calculate the time, in minutes and seconds, taken to empty the tank.

*Answer(c)(ii)* ..... min ..... s [2]

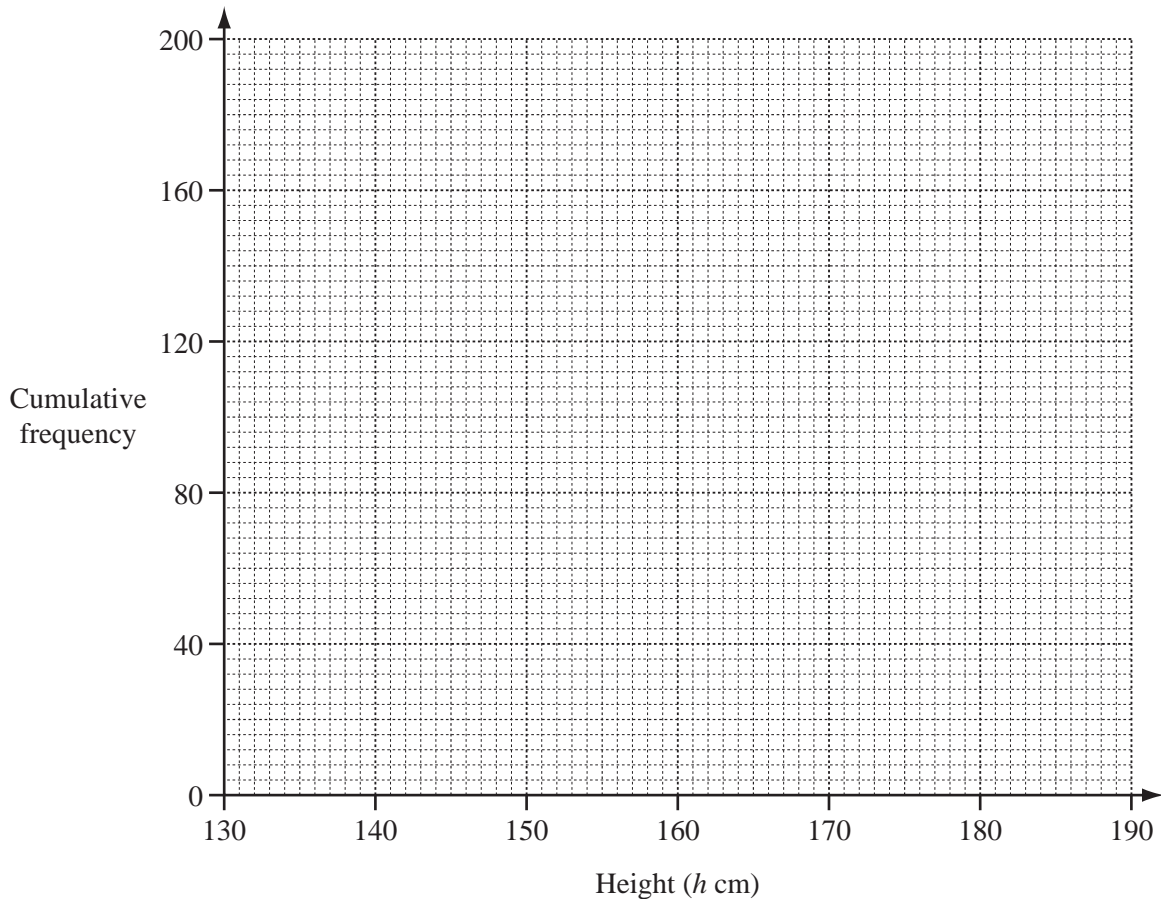
For  
Examiner's  
Use

- 5 The cumulative frequency table shows the distribution of heights,  $h$  centimetres, of 200 students.

Height ( $h$ cm)	$\leq 130$	$\leq 140$	$\leq 150$	$\leq 160$	$\leq 165$	$\leq 170$	$\leq 180$	$\leq 190$
Cumulative frequency	0	10	50	95	115	145	180	200

For  
Examiner's  
Use

- (a) Draw a cumulative frequency diagram to show the information in the table.



- (b) Use your diagram to find

(i) the median,

Answer(b)(i) ..... cm [1]

(ii) the upper quartile,

Answer(b)(ii) ..... cm [1]

(iii) the interquartile range.

Answer(b)(iii) ..... cm [1]

- (c) (i) One of the 200 students is chosen at random.

Use the table to find the probability that the height of this student is greater than 170 cm.  
Give your answer as a fraction.

Answer(c)(i) ..... [1]



- (ii) One of the 200 students is chosen at random and then a second student is chosen at random from the remaining students.

*For  
Examiner's  
Use*

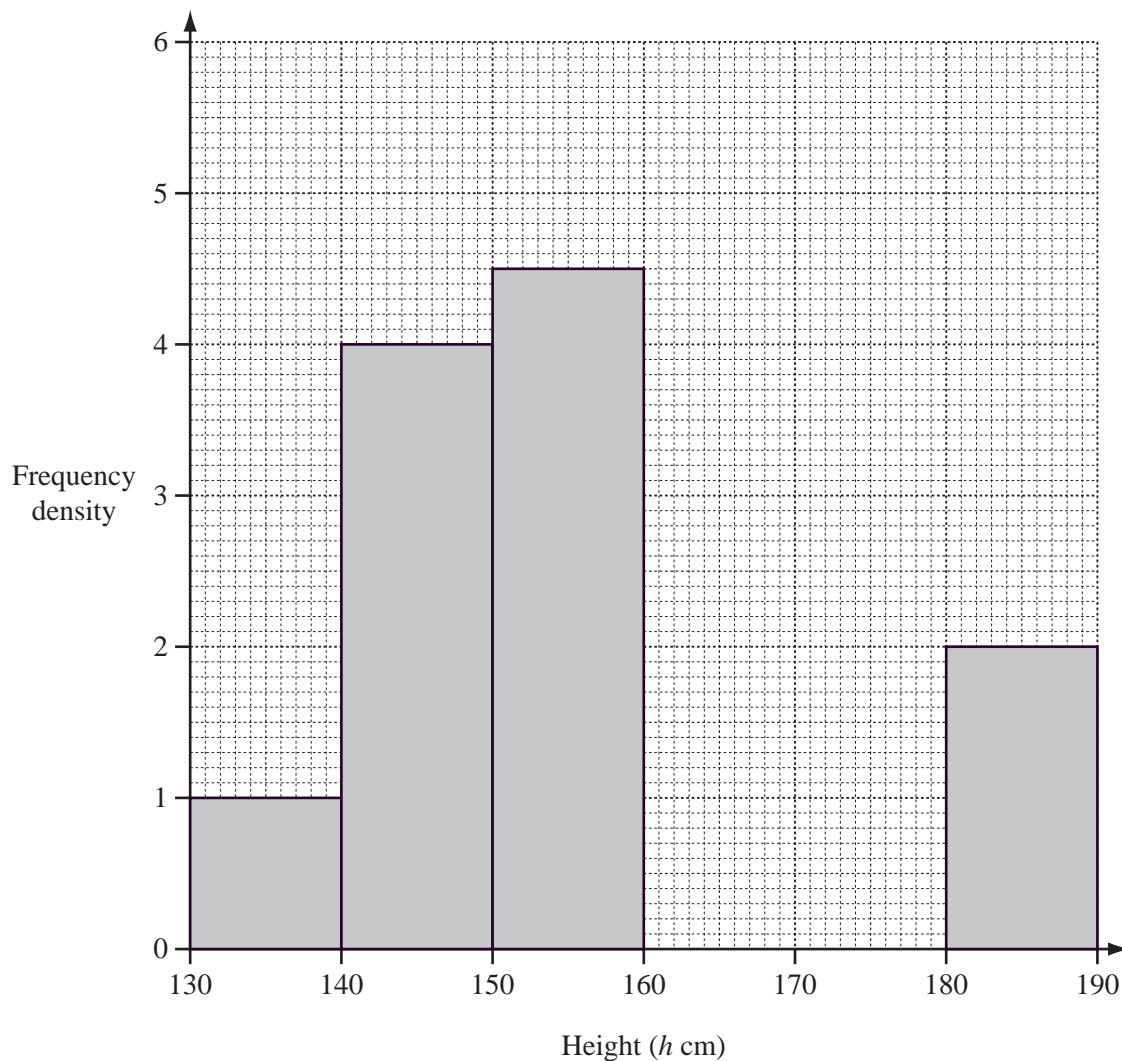
Calculate the probability that one has a height greater than 170 cm and the other has a height of 140 cm or less.  
Give your answer as a fraction.

*Answer(c)(ii)* ..... [3]

- (d) (i) Complete this frequency table which shows the distribution of the heights of the 200 students.

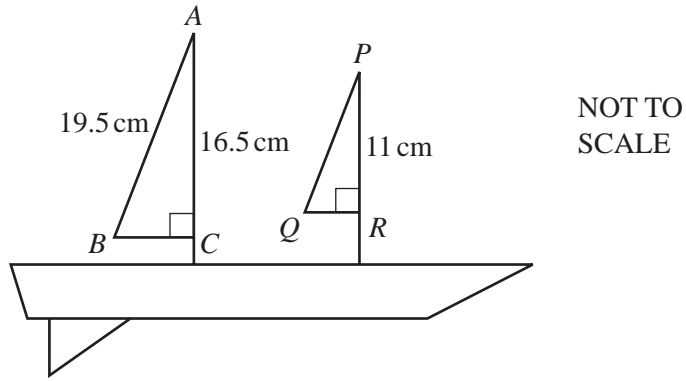
Height ( $h$ cm)	$130 < h \leq 140$	$140 < h \leq 150$	$150 < h \leq 160$	$160 < h \leq 165$	$165 < h \leq 170$	$170 < h \leq 180$	$180 < h \leq 190$
Frequency	10	40	45	20			

- (ii) Complete this histogram to show the distribution of the heights of the 200 students. [2]



[3]

6 (a)



*For  
Examiner's  
Use*

The diagram shows a toy boat.

$AC = 16.5$  cm,  $AB = 19.5$  cm and  $PR = 11$  cm.

Triangles  $ABC$  and  $PQR$  are **similar**.

(i) Calculate  $PQ$ .

*Answer(a)(i)*  $PQ =$  ..... cm [2]

(ii) Calculate  $BC$ .

*Answer(a)(ii)*  $BC =$  ..... cm [3]

(iii) Calculate angle  $ABC$ .

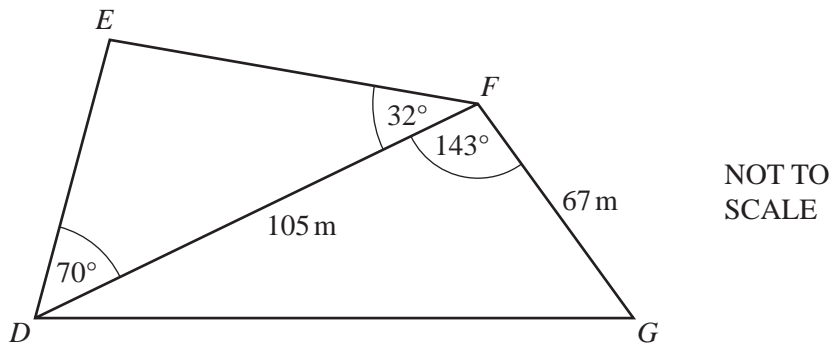
*Answer(a)(iii)* Angle  $ABC =$  ..... [2]

- (iv) The toy boat is mathematically similar to a real boat.  
The length of the real boat is 32 times the length of the toy boat.  
The fuel tank in the toy boat holds 0.02 litres of diesel.

Calculate how many litres of diesel the fuel tank of the real boat holds.

Answer(a)(iv) ..... litres [2]

(b)



The diagram shows a field  $DEFG$ , in the shape of a quadrilateral, with a footpath along the diagonal  $DF$ .

$DF = 105$  m and  $FG = 67$  m.

Angle  $EDF = 70^\circ$ , angle  $EFD = 32^\circ$  and angle  $DFG = 143^\circ$ .

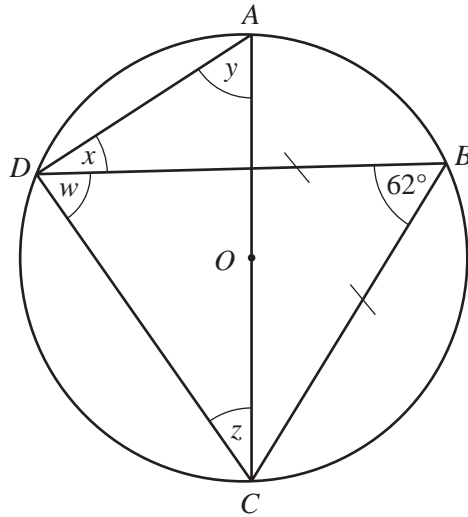
- (i) Calculate  $DG$ .

Answer(b)(i)  $DG =$  ..... m [4]

- (ii) Calculate  $EF$ .

Answer(b)(ii)  $EF =$  ..... m [4]

7 (a)



NOT TO SCALE

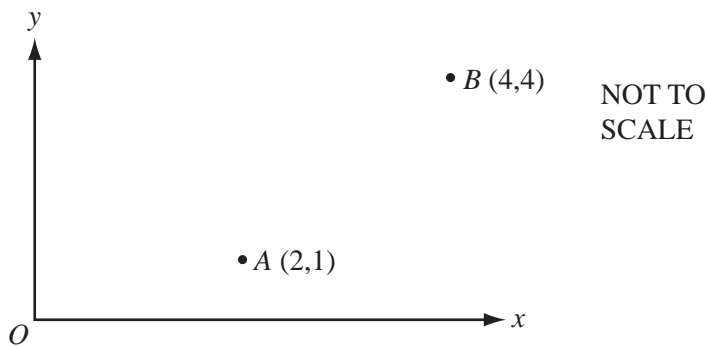
For Examiner's Use

$A, B, C$  and  $D$  are points on the circumference of a circle centre  $O$ .  
 $AC$  is a diameter.  
 $BD = BC$  and angle  $DBC = 62^\circ$ .

Work out the values of  $w, x, y$  and  $z$ .  
 Give a reason for each of your answers.

- $w =$  ..... because ..... [2]
- $x =$  ..... because ..... [2]
- $y =$  ..... because ..... [2]
- $z =$  ..... because ..... [2]

(b)



(i) Write down  $\vec{AB}$  as a column vector.

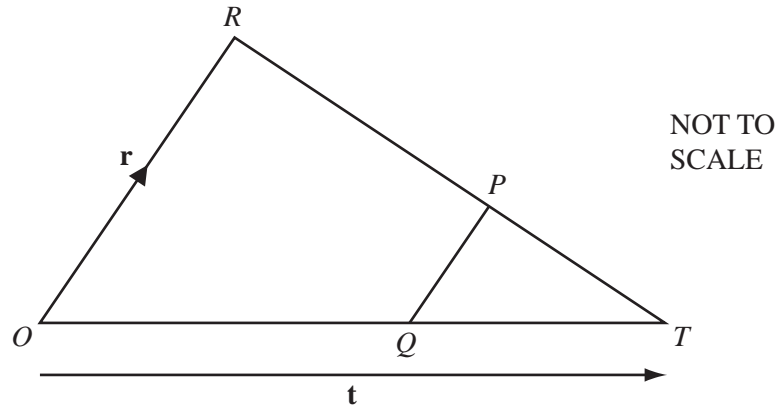
Answer(b)(i)  $\vec{AB} = \begin{pmatrix} \phantom{0} \\ \phantom{0} \end{pmatrix}$  [1]

(ii)  $\vec{AC} = \begin{pmatrix} 0 \\ 7 \end{pmatrix}$ .

Work out  $\vec{BC}$  as a column vector.

Answer(b)(ii)  $\vec{BC} = \begin{pmatrix} \phantom{0} \\ \phantom{0} \end{pmatrix}$  [2]

(c)



$\vec{OR} = \mathbf{r}$  and  $\vec{OT} = \mathbf{t}$ .

$P$  is on  $RT$  such that  $RP : PT = 2 : 1$ .

$Q$  is on  $OT$  such that  $OQ = \frac{2}{3} OT$ .

Write the following in terms of  $\mathbf{r}$  and/or  $\mathbf{t}$ .  
Simplify your answers where possible.

(i)  $\vec{QT}$

Answer(c)(i)  $\vec{QT} = \dots\dots\dots$  [1]

(ii)  $\vec{TP}$

Answer(c)(ii)  $\vec{TP} = \dots\dots\dots$  [2]

(iii)  $\vec{QP}$

Answer(c)(iii)  $\vec{QP} = \dots\dots\dots$  [2]

(iv) Write down two conclusions you can make about the line segment  $QP$ .

Answer(c)(iv)  $\dots\dots\dots$   
 $\dots\dots\dots$  [2]

8 (a)  $f(x) = 2x - 1$        $g(x) = x^2$

Work out

(i)  $f(2)$ ,

Answer(a)(i) ..... [1]

(ii)  $g(-2)$ ,

Answer(a)(ii) ..... [1]

(iii)  $fg(x)$  in its simplest form,

Answer(a)(iii)  $fg(x) =$  ..... [2]

(iv)  $f^{-1}(x)$ , the inverse of  $f(x)$ ,

Answer(a)(iv)  $f^{-1}(x) =$  ..... [2]

(v)  $x$  when  $gf(x) = 4$ .

Answer(a)(v)  $x =$  ..... or  $x =$  ..... [4]

(b)  $y$  is **inversely** proportional to  $x$  and  $y = 8$  when  $x = 2$ .

Find,

(i) an equation connecting  $y$  and  $x$ ,

Answer(b)(i) ..... [2]

(ii)  $y$  when  $x = \frac{1}{2}$ .

Answer(b)(ii)  $y =$  ..... [1]

9 (a) The first five terms  $P_1, P_2, P_3, P_4$  and  $P_5$  of a sequence are given below.

$$1 = 1 = P_1$$

$$1 + 2 = 3 = P_2$$

$$1 + 2 + 3 = 6 = P_3$$

$$1 + 2 + 3 + 4 = 10 = P_4$$

$$1 + 2 + 3 + 4 + 5 = 15 = P_5$$

(i) Write down the next term,  $P_6$ , in the sequence 1, 3, 6, 10, 15...

Answer(a)(i) ..... [1]

(ii) The formula for the  $n$ th term of this sequence is

$$P_n = \frac{1}{2}n(n + 1).$$

Show this formula is true when  $n = 6$ .

Answer (a)(ii) ..... [1]

(iii) Use the formula to find  $P_{50}$ , the 50th term of this sequence.

Answer(a)(iii) ..... [1]

(iv) Use your answer to **part (iii)** to find  $3 + 6 + 9 + 12 + 15 + \dots + 150$ .

Answer(a)(iv) ..... [1]

(v) Find  $1 + 2 + 3 + 4 + 5 + \dots + 150$ .

Answer(a)(v) ..... [1]

(vi) Use your answers to **parts (iv)** and **(v)** to find the sum of the numbers less than 150 which are **not** multiples of 3.

Answer(a)(vi) ..... [1]

**This question continues on the next page.**

(b) The first five terms,  $S_1, S_2, S_3, S_4$  and  $S_5$  of a different sequence are given below.

$$\begin{aligned} (1 \times 1) &= 1 = S_1 \\ (1 \times 2) + (2 \times 1) &= 4 = S_2 \\ (1 \times 3) + (2 \times 2) + (3 \times 1) &= 10 = S_3 \\ (1 \times 4) + (2 \times 3) + (3 \times 2) + (4 \times 1) &= 20 = S_4 \\ (1 \times 5) + (2 \times 4) + (3 \times 3) + (4 \times 2) + (5 \times 1) &= 35 = S_5 \end{aligned}$$

(i) Work out the next term,  $S_6$ , in the sequence 1, 4, 10, 20, 35...

*Answer(b)(i)* ..... [2]

(ii) The formula for the  $n$ th term of this sequence is

$$S_n = \frac{1}{6}n(n+1)(n+2).$$

Show this formula is true for  $n = 6$ .

*Answer(b)(ii)* ..... [1]

(iii) Find  $(1 \times 20) + (2 \times 19) + (3 \times 18) \dots + (20 \times 1)$ .

*Answer(b)(iii)* ..... [1]

(c) Show that  $S_6 - S_5 = P_6$ , where  $P_6$  is your answer to **part (a)(i)**.

*Answer(c)* ..... [1]

(d) Show by algebra that  $S_n - S_{n-1} = P_n$ .  $[P_n = \frac{1}{2}n(n+1)]$

*Answer(d)* ..... [3]

Permission to reproduce items where third-party owned material protected by copyright is included has been sought and cleared where possible. Every reasonable effort has been made by the publisher (UCLES) to trace copyright holders, but if any items requiring clearance have unwittingly been included, the publisher will be pleased to make amends at the earliest possible opportunity.

University of Cambridge International Examinations is part of the Cambridge Assessment Group. Cambridge Assessment is the brand name of University of Cambridge Local Examinations Syndicate (UCLES), which is itself a department of the University of Cambridge.